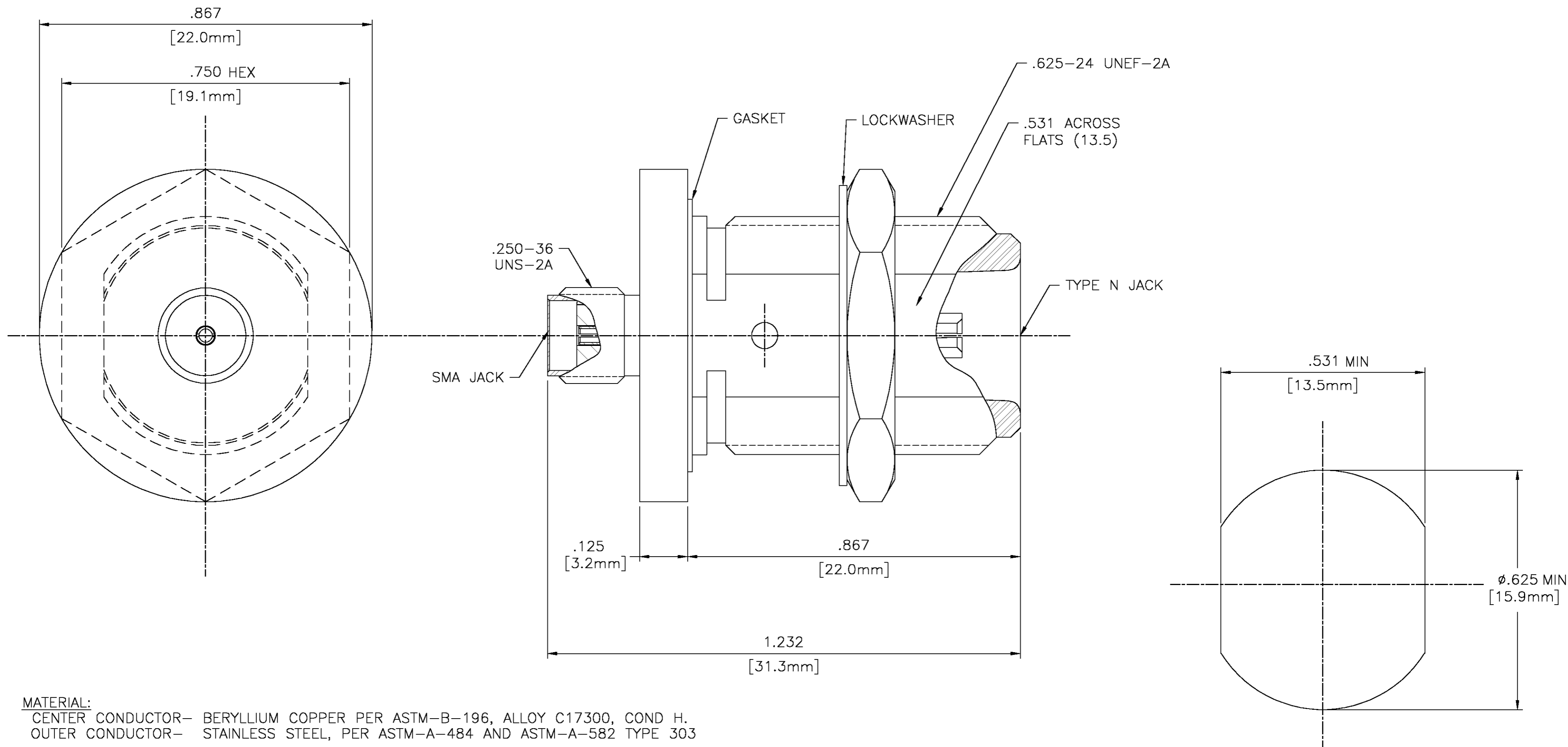


THIS DRAWING IS UNPUBLISHED. RELEASED FOR PUBLICATION
 © COPYRIGHT BY TYCO ELECTRONICS CORPORATION. ALL RIGHTS RESERVED.

LOC		DIST		REVISIONS			
P	LTR	DESCRIPTION		DATE	DWN	APVD	
0		RELEASED ON TYCO FORMAT		25APR03	GV	DC	



MATERIAL:
 CENTER CONDUCTOR- BERYLLIUM COPPER PER ASTM-B-196, ALLOY C17300, COND H.
 OUTER CONDUCTOR- STAINLESS STEEL, PER ASTM-A-484 AND ASTM-A-582 TYPE 303

DIELECTRIC- TEFLON PER ASTM-D-1457

PLATING:
 INNER CONDUCTOR- GOLD PER MIL-G-45204
 OUTER CONDUCTOR- PASSIVATED PER QQ-P-35

RECOMENDED MOUNTING HOLE

THIS DRAWING IS A CONTROLLED DOCUMENT.		DWN G. VIERA 25APR03	Tyco Electronics Corporation Harrisburg, PA 17105-3608	
DIMENSIONS: INCHES 		CHK D. CAMELIO 24APR03	NAME SMA JACK TO TYPE N JACK ADAPTER BULKHEAD FEEDTHROUGH (3684-2240-00)	
TOLERANCES UNLESS OTHERWISE SPECIFIED: 0 PLC ± - 1 PLC ± - 2 PLC ± - 3 PLC ± .005 4 PLC ± - ANGLES ± 1° FINISH -		APVD D. CAMELIO 24APR03	RESTRICTED TO	
MATERIAL		PRODUCT SPEC	SIZE A2	CAGE CODE 00779
		APPLICATION SPEC	DRAWING NO C=1058675-1	
		WEIGHT	SCALE 5:1	
		CUSTOMER DRAWING	SHEET 1 OF 1	
			REV 0	